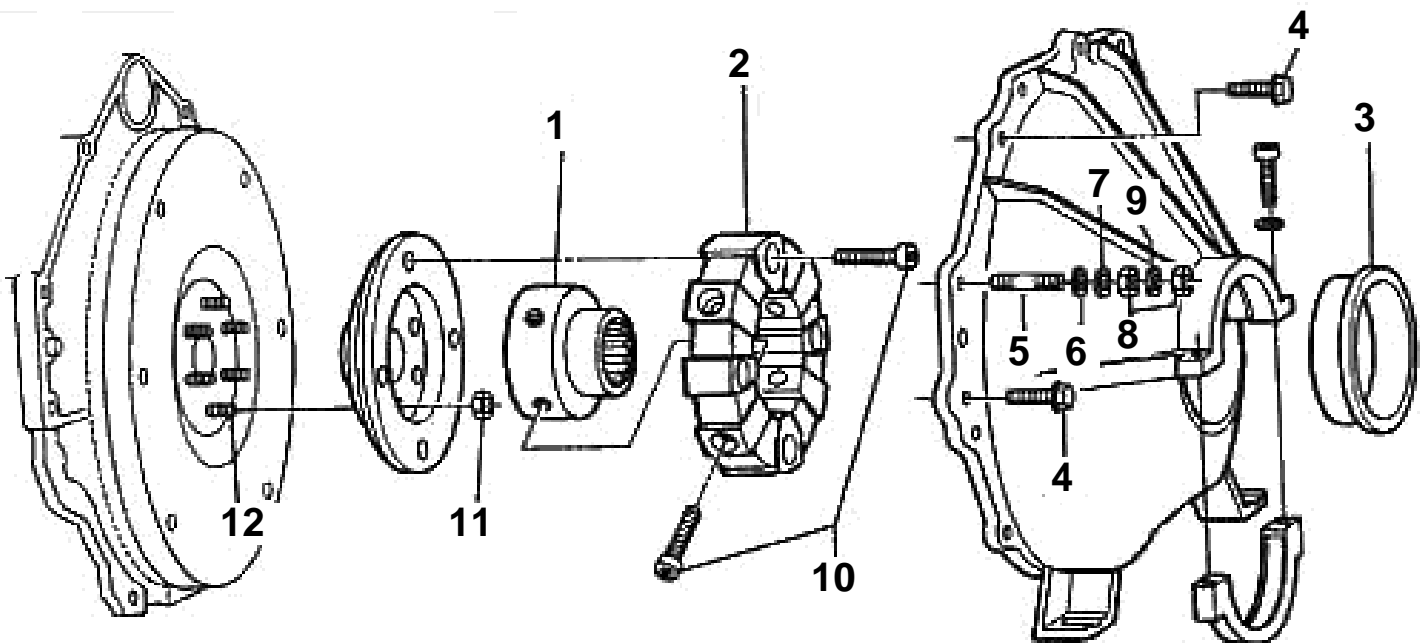


FLYWHEEL HOUSING & CONNECTING COMPONENTS, PJX



FLYWHEEL HOUSING & CONNECTING COMPONENTS, PJX

REF	PART NO.	QTY	DESCRIPTION
1	3855752	1	Hub
2	3855459	1	Flexible coupling
3	3855641	1	Rubber ring
4	3853326	2	Screw
5	3850571	2	Stud, Ground
6	3852058	2	Washer, Flywheel housing
7	3852002	2	Lock washer, Flywheel housing
8	3852065	4	Nut, Ground
9	3852070	2	Washer, Ground
10	968004	8	Allen head screw, M14 X 40
11	3853273	6	Lock nut, Flywheel & flange
12	3853274	6	Stud, Flywheel, adapter flange to crankshaft